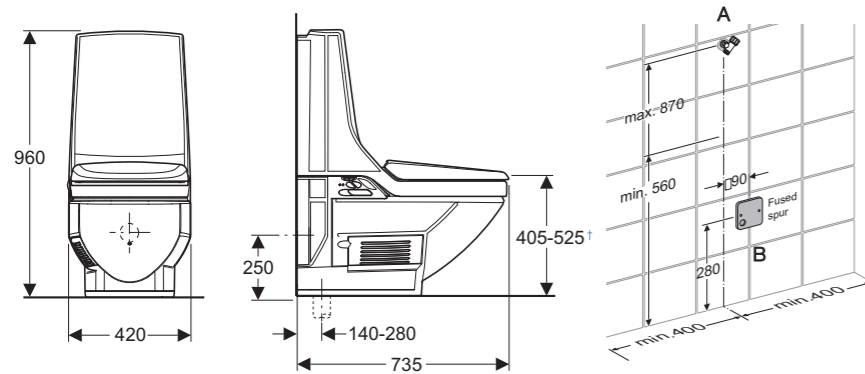


Technical Data

AquaClean 8000plus Care



Product code: 185.200.11.1

Includes: floor standing WC with dirt repellent ceramic surface, plastic casing, remote control, infra-red remote, fastening material and connection parts, waste fitting, isolation valve 1/2" BSP.

Features: warm water shower, dryer, air purification, Lady shower, seat height adjustable at installation, dual flush, remote flushing, adjustable shower and dryer arm settings, programmable user profile.

Protection class	IP X4
Isolation valve	Can be installed in a central position behind the cistern, or can be centred left/right ('A' on diagram)
Nominal voltage	230V AC/50Hz. Fused at 5A. Note: Connect to an unswitched fused spur. ('B' on diagram)
Length of main lead	500 mm
Power Input	1000 W
Pressure range	1-10 bar (mains connection)
Dryer temperature	20-45°C (adjustable)
Water temperature	Max. 39°C (adjustable)
Water flow	Adjustable from 1.4 to 5.5 litres/min
Water heater capacity	1.8 litres
Air volume through active carbon filter	10 m³/h
Weight	45 kg
Dual flush cistern	6/3 litres
Height adjustable † factory setting 445mm	For ease of standing up and side transfer from wheelchair the AquaClean 8000plus Care can be installed to a seat height of up to 525 mm.
Remote controls	The remote control is included with the product and allows individual settings to suit each user's needs. The infra-red remote offers hands free operation.
Waste pipe connection	Possible from the floor, the wall or from the left/right.
Soft seat (optional)	250.063.00.1

Note: Electrical installation should be carried out by authorised experts only and in accordance with the current edition of I.E.E. Regulations.



AquaClean 8000plus Care

April 2009



Geberit Sales Ltd
Geberit House
Academy Drive
Warwick
Warwickshire
CV34 6QZ

Freephone: 0800 077 8365
Fax: 0844 800 6604
Eire: +44 (0) 1926 516 800
Literature: 0800 007 5133

www.geberit.co.uk

Enhanced personal hygiene that puts you in control

Perfect for those who wish to maintain independence and privacy in the bathroom, the AquaClean 8000*plus* Care shower toilet by Geberit combines all the functions of a conventional WC and bidet with the comfort of warm-air drying.

Elegantly designed and with a host of convenient features as standard, it promotes a unique sense of well-being that will benefit people of any age group.

A simple to use shower, drying and air purifying operation makes for a cleaner and more hygienic experience that is virtually hands-free. Plus fresh water cleaning at body temperature allows for a much more pleasant and comfortable sensation than conventional toilet tissue.

The AquaClean 8000*plus* Care will leave you feeling fresh and, more importantly, feeling free - because it requires minimal effort to use and will tremendously improve the quality of life in any home where it is installed.



Comfortable
and convenient



The AquaClean 8000*plus* Care can be installed in any home at a height to suit the preference of the user. It features a specially strengthened seat that is ideal for side transfer. An optional soft seat is available for extra comfort when needed.

Feel fresher all day, every day

Experience that 'just showered' feeling every time you use the AquaClean 8000*plus* Care.

Gentle, invigorating shower

The shower arm extends from its protected position and a gentle, oscillating and pulsating spray of fresh, warm water washes thoroughly, before gradually cooling for a refreshing feeling. The temperature can be adjusted as required for a uniquely pleasant and hygienic experience, even for the most sensitive skin. The arm also features a separate Lady Shower for the ultimate in gentle cleansing.

Warm and dry

Once washing is complete, the AquaClean 8000*plus* Care gently and quietly dries with a flow of pleasantly warm air. Drying is completed in minutes – leaving you feeling fresh, clean and confident. Irritating and inconvenient toilet tissue can be a thing of the past.

Cleaner and more hygienic

Once finished, the retracted shower nozzle is soaked and rinsed with fresh water and disinfectant before and after each use to ensure spotless cleanliness at all times.



Oscillating and pulsating shower



Dryer



Cleaning system



Note: Seat and lid application are available as separate accessories

Cleanliness at the push of a button



We've designed the AquaClean 8000*plus* Care with the needs of the user in mind. That's why we've included so many convenient functions and extras.

Total control at your fingertips

A simple touch to the easily located push-button control panel is enough to start the automatic pre-set sequence of washing and drying. No additional effort is required – perfect for people who might otherwise experience difficulty in the bathroom.

Touch-free operation

With the infra-red remote, using the AquaClean 8000*plus* Care can be completely hands-free. A sensor simply detects movement and automatically starts the washing and drying sequence. All functions will only operate when a user is present. It will even flush the WC before the wash cycle - easy, private and convenient.

Personalised comfort

With the remote control, you can tailor the settings of the AquaClean 8000*plus* Care to specific needs and then save them under three separate profiles – so anybody who uses the shower toilet can enjoy the optimum experience based on their preferences and once saved the settings can be picked up by the infra-red or control panel, ensuring fuss-free individual adjustment when required. The unit also includes a button for remote flushing.



Integrated control panel



Hands-free remote



Remote for personalised settings

It transformed my life

“ I had no idea that something like the AquaClean 8000*plus* Care shower toilet existed, and even when I first found out about it I thought it was more of a luxury than a necessity. Not now! I couldn't have imagined the difference it's made. Not relying on other people has given me a new freedom and confidence. ”

Mrs Connolly, Exeter

Frequently asked questions about the AquaClean 8000*plus* Care



Is the AquaClean 8000*plus* Care easy to use?

The AquaClean 8000*plus* Care has been designed with the user's needs in mind. It offers a variety of control options as standard that allow you to choose whichever is most convenient. Even hands-free operation is included without compromising on individuality.

Who can install the product?

There are numerous approved installers throughout the UK that we can recommend. We were keen to develop a product that's innovative and easy to install. As a result, any qualified electrician or plumber of your choice will be able to carry out the job.

Does it need to be commissioned?

No, your installer can install it for you without the need to have it checked again by a Geberit technician. The easy to activate self commission process ensures the WC functions perfectly.

Can it be connected to the main water supply?

The product complies with UK water regulations and can be connected to the mains water supply.

Who can I contact for after sales support?

Geberit offers a standard 2-year warranty for the AquaClean 8000*plus* Care. Simply contact our technical department on freephone 0800 077 8365 if you need assistance. For peace of mind you can rely on a network of Geberit trained service engineers should your AquaClean ever be out of service.

Can the AquaClean 8000*plus* Care be used in the case of power cut?

Yes it can. There is a mechanical flush button included so you can continue using the AquaClean as any standard toilet even if electrical power is lost.

Is a lid available?

The toilet features a special strengthened seat that is particularly sturdy and ideal for side transfer. It can be removed easily and replaced with a standard AquaClean seat and lid application.

Can it be cleaned like a conventional WC?

The AquaClean 8000*plus* Care features a unique dirt-repellent finish for easy care and the highest standard of hygiene. No more scrubbing, scouring and scratching. Regular cleaning with a soft damp cloth and a mild cleaning agent will be enough to keep the toilet in good condition.

Who are Geberit?

Geberit are the European leader in supply, drainage and washroom systems and have built a reputation for innovation, quality and reliability over their 130 year history.

Features at a glance

The AquaClean 8000*plus* Care offers a host of advanced, convenient features as standard.

Warm, fresh water shower	✓	With oscillating and pulsating spray mode for thorough and gentle cleaning
Warm water Lady Shower	✓	Supplied through a separate water feed to eliminate the risk of cross contamination
Dryer	✓	Fully extendable with unlimited duration to suit you
Adjustable spray arm position	✓	To suit seating position
Air purification	✓	To neutralise unpleasant odours
Disinfected shower nozzle	✓	For high standard of hygiene
Strengthened ergonomic seat	✓	Ideal for side transfer
Remote control	✓	For individual adjustments
Hands-free remote	✓	Touchless activation of wash, dry & flush
Individual temperature adjustment	✓	Water and dryer temperature adjustable to suit the user's liking
Automatic flush	✓	Convenient remote flushing
Seat height adjustable	✓	A built-in plinth allows for seat height adjustments from 405mm – 525mm at installation
Warranty	✓	2 years as standard. Extended warranty available on request.